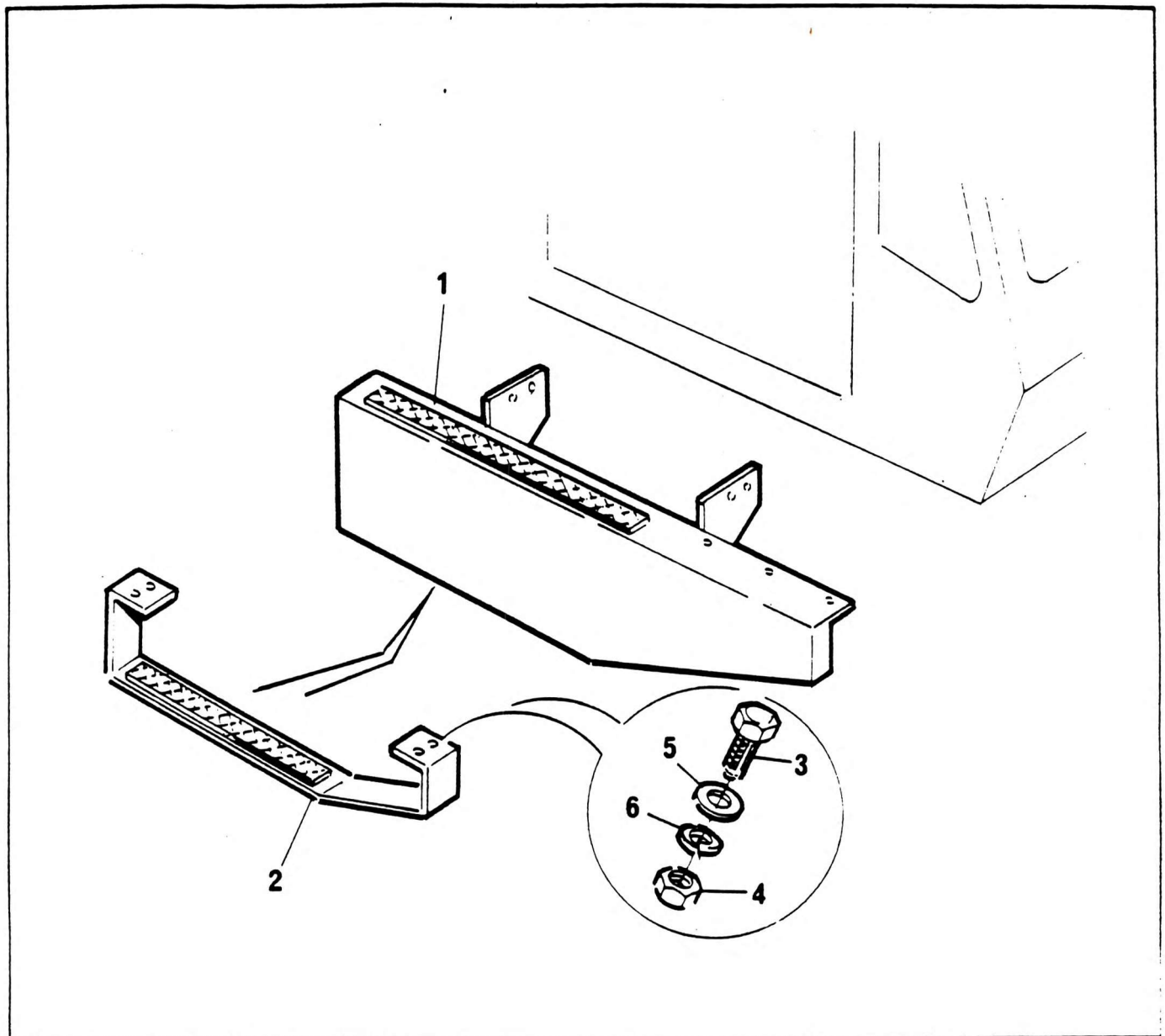


PANEL CAB SKIRT INSTAL.T. RH



NO.	PART NO.	QTY.	DESCRIPTION	NO.	PART NO.	QTY.	DESCRIPTION
1	6-679-991786	1	Panel Cab Skirt RH				
2	6-966-990233	1	Step				
3	7090001	15	Bolt Hex Head M6 x 25 Long				
4	7069102	15	Nut M6				
5	7066536	15	Washer Plain M6				
6	7067214	15	Washer Spring M6				

6-679-991285
Issue No. 00